



## E3250 Ultra-slim 2D Image Scan Engine

### Scanning performance

- | 1 / 4 inch photosensitive pixels, excellent light-sensing performance in low light environments
- | Using a 1-megapixel Global Shutter pure grayscale image processor
- | Wide DOF design, supporting 3mil small code, 20mil up to 1m
- | High-brightness laser Aiming

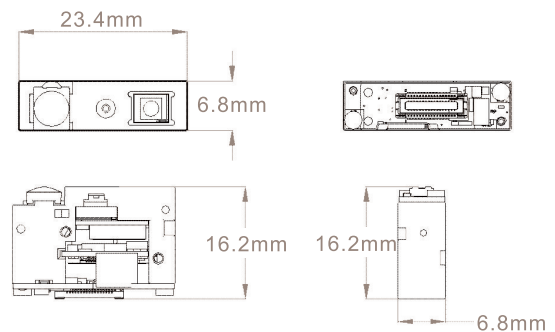
### Unique Product Characteristics

- | Datalogic decoding technology and authorization algorithmic
- | Flexible technical support on the integration of customer product
- | Accurate reading ability, only decode bar code label that's close to the center of the aiming pattern, even when many labels are crowded

### Hardware characteristics

- | Ultra slim height, only 6.8mm. Perfect for integration into ultra-slim devices
- | Compatible design with competitor's product, directly integrated instead

### Product size



## Applications



Manufacture Industry



T&L



Government



Retail



Health Care



Mobile Payment



Suzhou MobyData Smart System Company

[www.mobydata.com](http://www.mobydata.com)

86-512-68234699

MECHANICAL	
Dimonsions	23.5mm x 16.2mm x 6.8mm
Weight	2.6g
ELECTRICAL	
Input voltage	VCC3.3V ± 5%, VCC_IO:1.7 V-3.6V
Current Consumption	I/O power current :1mA
	Supply voltage current : 200mA
Interface	MIPI
Illumination	White LED
Aiming	Red Laser
ENVIRONMENTAL	
Temperature	-40°C to 85°C (-40°F to 185°F)
	-25°C to 50°C (-13°F to 122°F)
Humidity	0 to 95% relative humidity, non-condensing, at 50°C (122°F)
Ambient Light	300 lux on the barcode
PERFORMANCE	
Shutter	Global shutter
Sensor Pixels	1280 (H) × 800 (V) = 1.0 Mp
Field Of View	48° (H) x 34° (V)
Motion Tolerance	600 cm/s [236 in/s] maximum 400 cm/s [157 in/s] typical
Symbol Contrast	20% minimum print contrast ratio
Min.Resolution	1D linear: 2.5 mils
	Data Matrix: 6 mils
	PDF417: 3 mils
Scan Angles	+/- 60°; Roll (Tilt): +/-180°; Skew (Yaw): +/- 60°
SYMBOLOGIES	
Decode Type(2D)	Digimarc; Aztec Code; China Han Xin Code; Data Matrix; MaxiCode;Micro QR Code; QR Code
Decode Type(1D)	Auto discriminates all standard 1D codes including GS1 DataBar™ linear codes
Postal	Australian Post; British Post; China Post; IMB; Japanese Post; KIX Post; Korea Post; Planet Code; Postnet; Royal Mail Code (RM4SCC)
READ RANGES	
DOF:	5 mil Code 39      43 mm - 347 mm
	20 mil Code 39    65 mm - 1110 mm
	13mil EAN-13     35 mm - 621 mm
	10mil DM          46 mm - 285 mm
	15mil DM          39mm - 464 mm
	3.13MIL            93mm - 219 mm

